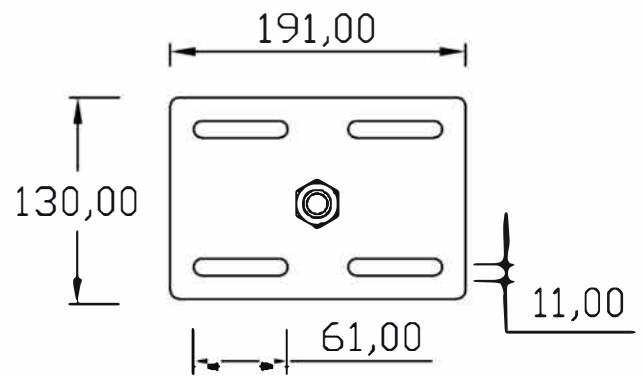
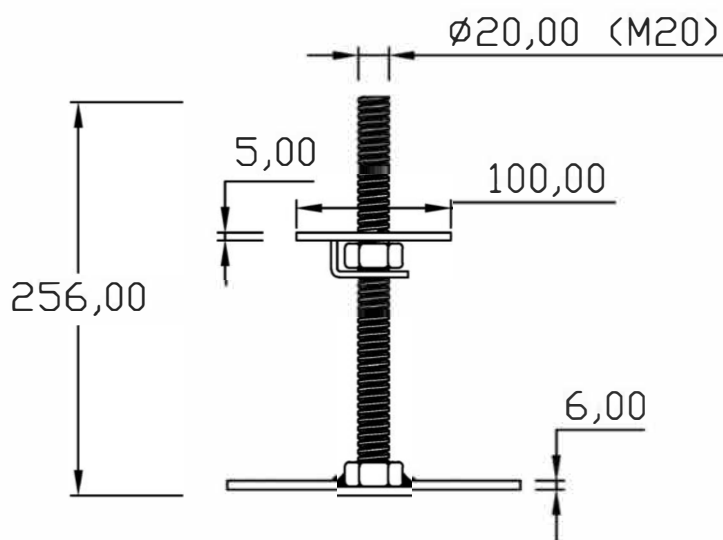
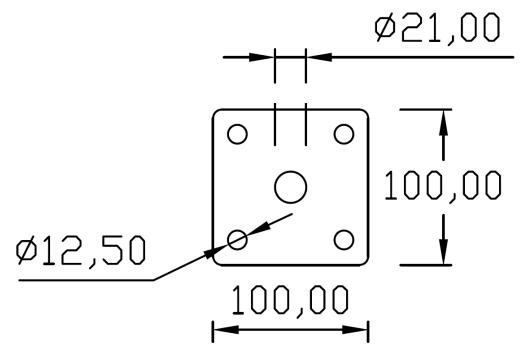


Art. no:	17021
Weight:	1,40 kg
Dimensions:	191,0 x 130,0 x 256,0 mm
Materials:	Hot-dip galvanized S235 steel
Installation:	Manual
Use:	Fixation of wooden posts and columns
Fixation:	M10 Bolts



Drawing description	POLE HOLDER M20 – RECTANGULAR FLANGE	
Date	Signed	Sheet number
12/2018	DVDE	1 of 7
Drawing number	Format	Document status
17021-V1	A4	DEF.

Products to combine:

Any FIRST BASE Ø200mm flange